

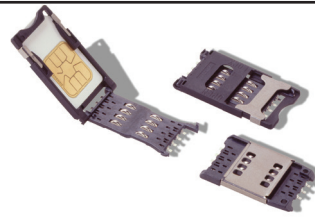
CCM03 MK2 Series

Features

- SIM/SAM card acceptance
- Hinged and fixed covers
- Compatible with pick and place and lead free soldering

Typical Applications

- Handheld products
- Identification
- POS
- Automotive



Mechanical

| | |
|-------------------------------|---|
| Number of Contacts | 6 or 8 |
| Mechanical life, hinged cover | 10,000 cycles min |
| Mechanical life, fixed cover | 50,000 cycles |
| Card insertion force | Hinged cover: 1N max Fixed cover: 3N max |
| Card extraction force | Hinged cover: 1N max Fixed cover: 0,80N min / 3N max |
| Contact force | 0,25N min / 0,50N max |
| Slide locking force | 2N min / 6N max 1,8N max. for complete depression |
| Vibration Frequency | 10 to 500 Hz. Acceleration 50m/s ² Duration 6 hours - amplitude 0,35 mm |
| Max electrical discontinuity | 1µs |
| Shock | Peak value 500 m/s ² – Duration 11 ms 3 shocks in each direction of each axis |

Contact Electrical Data

| | |
|-----------------------|---------------------|
| Insulation resistance | 1,000 MΩ min |
| Resistance | 100 mΩ max |
| Current rating | 10 µA min / 1 A max |
| Dielectric strength | 750 Vrms min |

Switch Electrical Data

| | |
|-----------------------|----------------------|
| Card detection switch | Normally open |
| Contact resistance | 100 mΩ max |
| Dielectric strength | 250 Vrms min |
| Current rating | 1 mA min / 10m A max |
| Maximum power | 0.2 VA |

Environment Data

| | |
|-----------------------|------------------------------------|
| Operating temperature | -40°C to +85°C |
| Damp heat | IEC 512 test number 11c (10 days) |
| Salt mist | IEC 512 test number 11f (96 hours) |
| RoHS compliant | |

Soldering Process

Compatible with lead free SMT soldering process



How To Order

Part number list is shown below. For individual part details, please refer to the following pages.

| Part Number (Part Description) | Product Details |
|-----------------------------------|---|
| CCM03-3001LFT R102 | Sim card connector 6 inlay contacts with hinged cover |
| CCM03-3002LFT R102 | Sim card connector 6 inlay contacts with hinged cover with plastic peg |
| CCM03-3003LFT R102 | Sim card connector 8 inlay contacts with hinged cover |
| CCM03-3004LFT R102 | Sim card connector 8 inlay contacts with hinged cover with plastic peg |
| CCM03-3009LFT R102 | Sim card connector 6 gold contacts with hinged cover |
| CCM03-3010LFT R102 | Sim card connector 6 gold contacts with hinged cover with plastic peg |
| CCM03-3011LFT R102 | Sim card connector 8 gold contacts with hinged cover |
| CCM03-3012LFT R102 | Sim card connector 8 gold contacts with hinged cover with plastic peg |
| CCM03-3013LFT R102 | Sim card connector 6 gold contacts with hinged cover and switch detection |
| CCM03-3504LFT R122 | Sim card connector 8 contacts with fixed cover with plastic peg |
| CCM03-3505LFT R122 | Sim card connector 6 contacts with fixed cover |
| CCM03-3512LFT R102 | Sim card connector 6 contacts with hinged cover and large soldering pads |
| CCM03-3512LFT R851B | Sim card connector 6 contacts with hinged cover and large soldering pads |

CCM03 MK2 Series

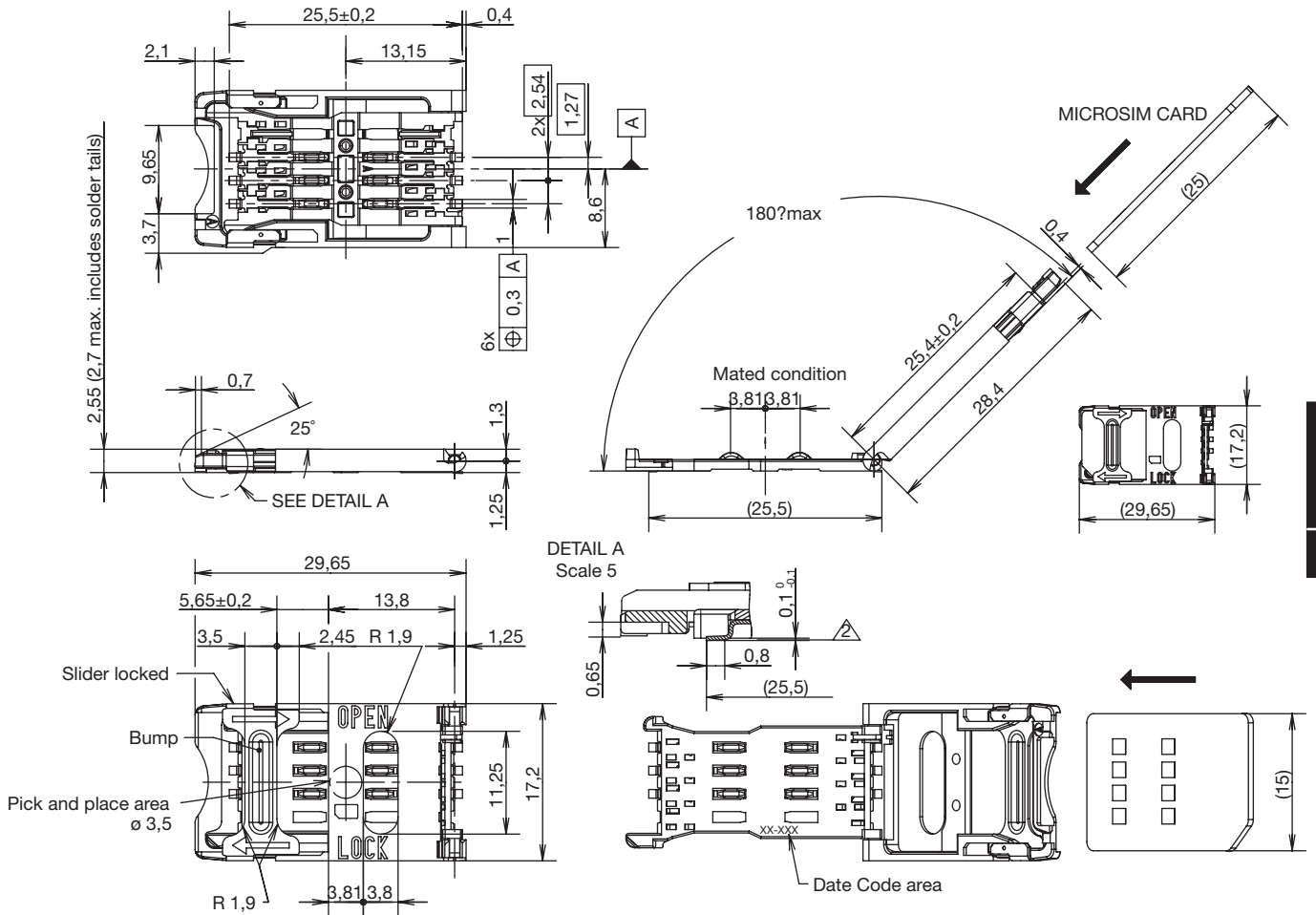
| Designation | Contact Plating | Cover | # of Contacts | PCB Version | Card Presence Switch | Operating Life | Total Height (mm) | Dim. (mm) | Packaging |
|---------------|-----------------|--------|---------------|-----------------------|----------------------|----------------|-------------------|--------------|--------------------|
| CCM03-3001LFT | inlay | hinged | 6 | | without | 10,000 | 2,55 | 17,2 x 29,65 | reels of 1,000 pcs |
| CCM03-3002LFT | inlay | hinged | 6 | 2 plastic pegs | without | 10,000 | 2,55 | 17,2 x 29,65 | reels of 1,000 pcs |
| CCM03-3003LFT | inlay | hinged | 8 | | without | 10,000 | 2,55 | 17,2 x 29,65 | reels of 1,000 pcs |
| CCM03-3004LFT | inlay | hinged | 8 | 2 plastic pegs | without | 10,000 | 2,55 | 17,2 x 29,65 | reels of 1,000 pcs |
| CCM03-3009LFT | gold | hinged | 6 | | without | 10,000 | 2,55 | 17,2 x 29,65 | reels of 1,000 pcs |
| CCM03-3010LFT | gold | hinged | 6 | 2 plastic pegs | without | 10,000 | 2,55 | 17,2 x 29,65 | reels of 1,000 pcs |
| CCM03-3011LFT | gold | hinged | 8 | | without | 10,000 | 2,55 | 17,2 x 29,65 | reels of 1,000 pcs |
| CCM03-3012LFT | gold | hinged | 8 | 2 plastic pegs | without | 10,000 | 2,55 | 17,2 x 29,65 | reels of 1,000 pcs |
| CCM03-3013LFT | gold | hinged | 6 | | with | 10,000 | 2,55 | 17,2 x 29,65 | reels of 1,000 pcs |
| CCM03-3512LFT | gold | hinged | 6 | Large soldering pads* | without | 10,000 | 2,55 | 17,2 x 29,65 | reels of 1,000 pcs |
| CCM03-3504LFT | gold | fixed | 8 | | without | 50,000 | 2,85 | 17,2 x 25,5 | reels of 1,000 pcs |
| CCM03-3505LFT | gold | fixed | 6 | | without | 50,000 | 2,85 | 17,2 x 25,5 | reels of 1,000 pcs |

* Can go through reflow upside down

SIM/SAM

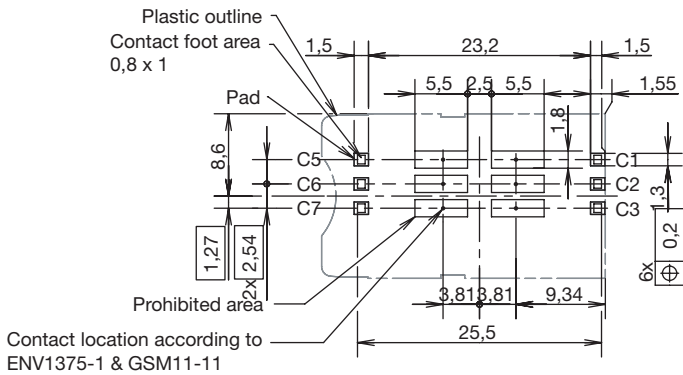
CCM03 MK2 Series

CCM03-3001 LFT / CCM03-3009 LFT



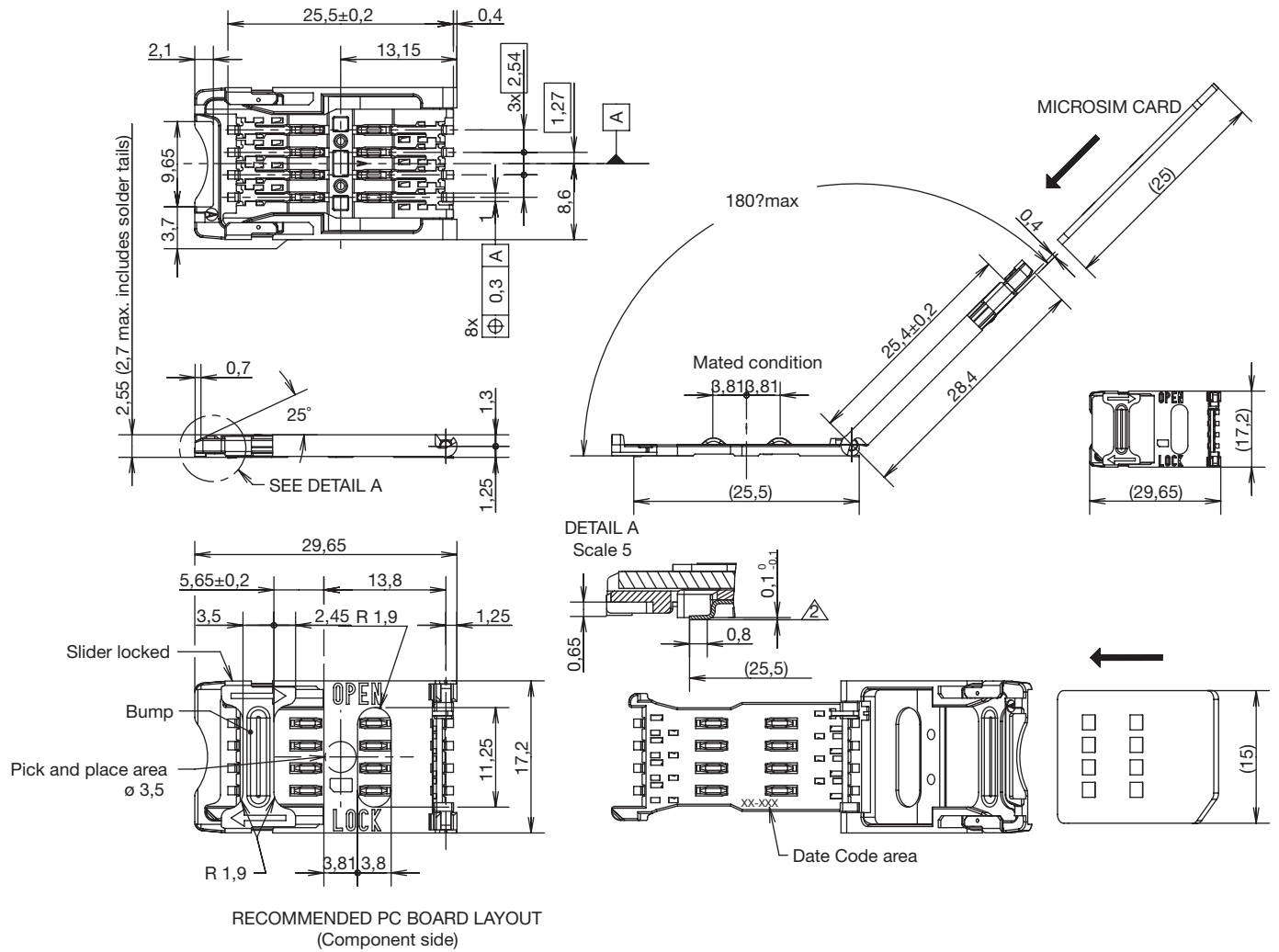
SIM/SAM

RECOMMENDED PC BOARD LAYOUT (Component side)



CCM03 MK2 Series

CCM03-3003 LFT

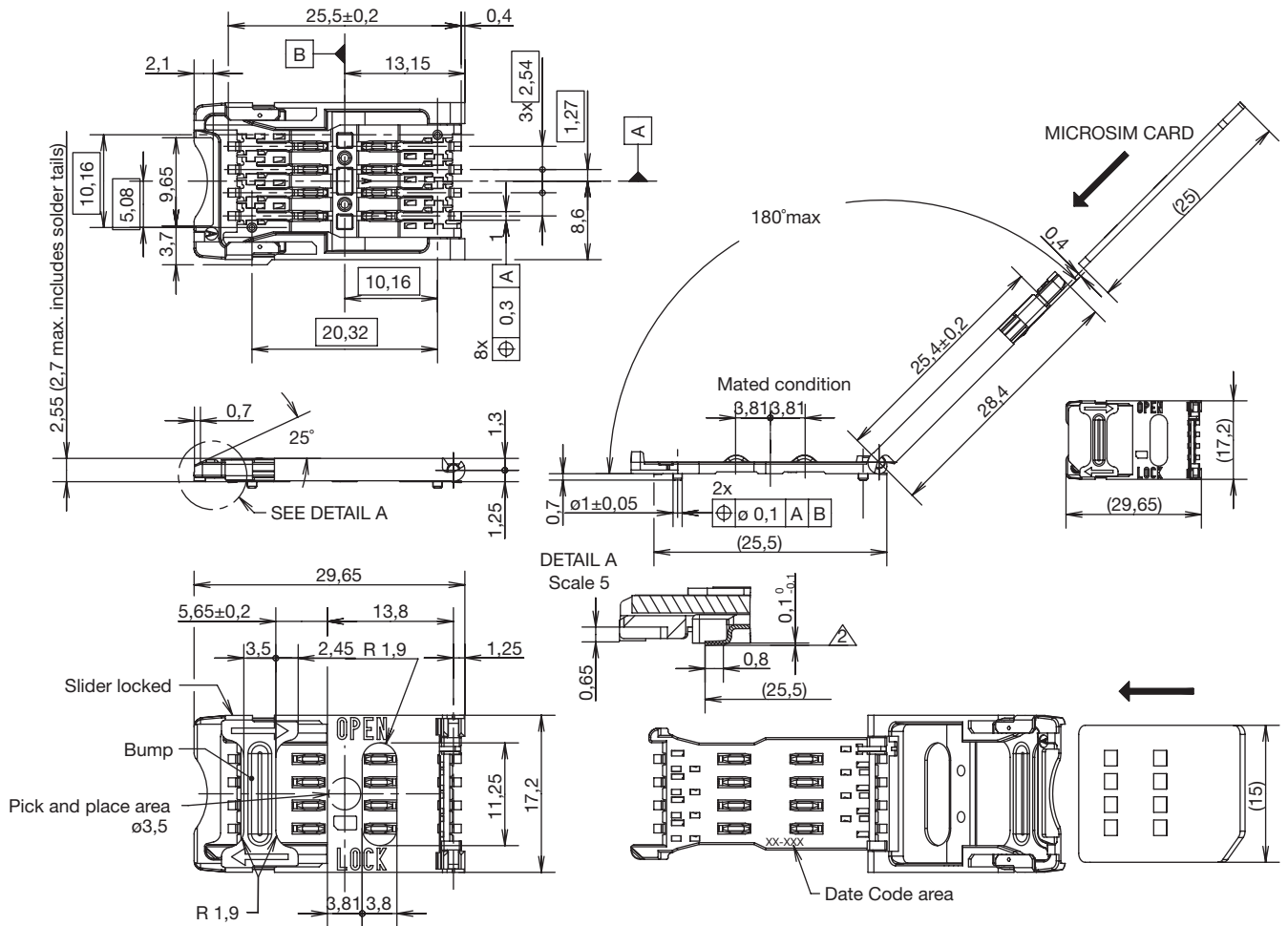


SIM/SAM

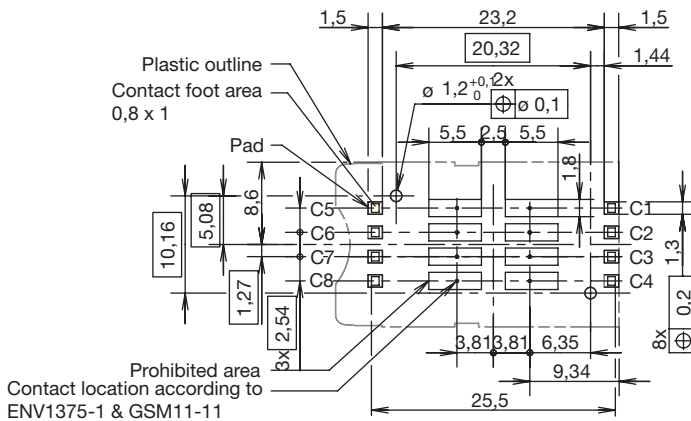
Contact location according to ENV1375-1 & GSM11-11

CCM03 MK2 Series

CCM03-3004 LFT



RECOMMENDED PC BOARD LAYOUT
(Component side)



Dimensions are shown in mm
Specifications and dimensions subject to change

www.ckswitches.com

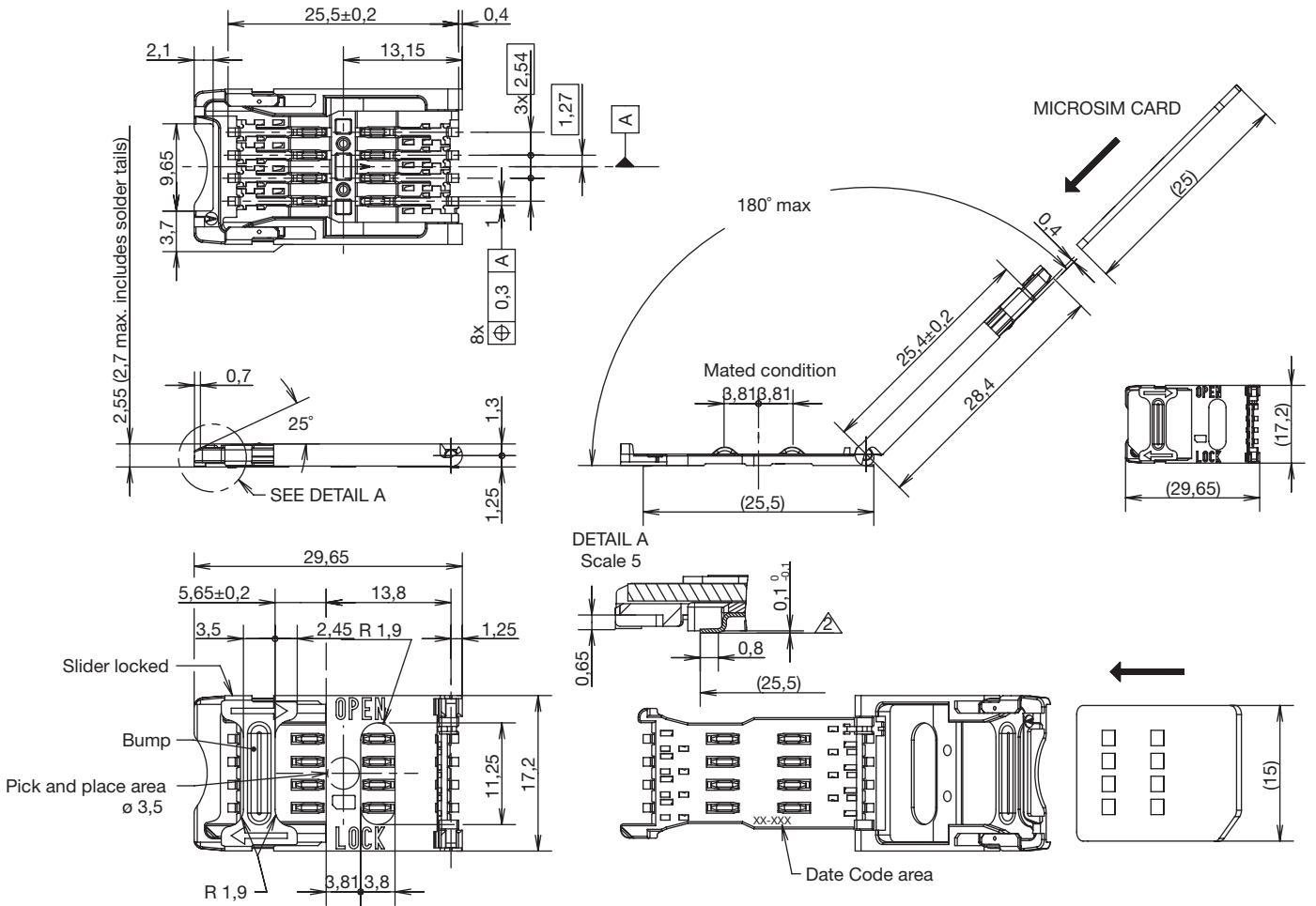
SIM/SAM



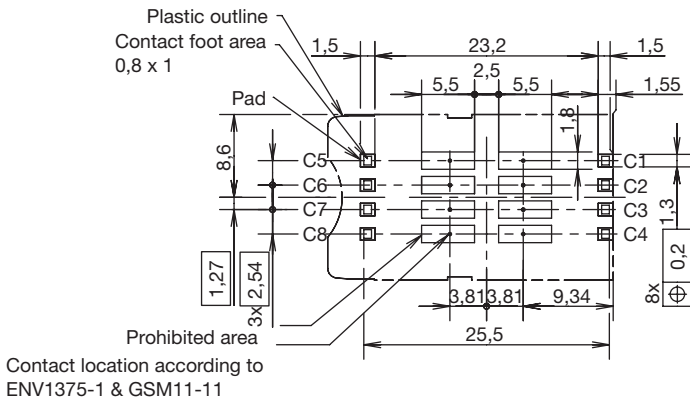
18 Mar 22

CCM03 MK2 Series

CCM03-3011 LFT



RECOMMENDED PC BOARD LAYOUT (Component side)



18 Mar 22



First Angle
Projection

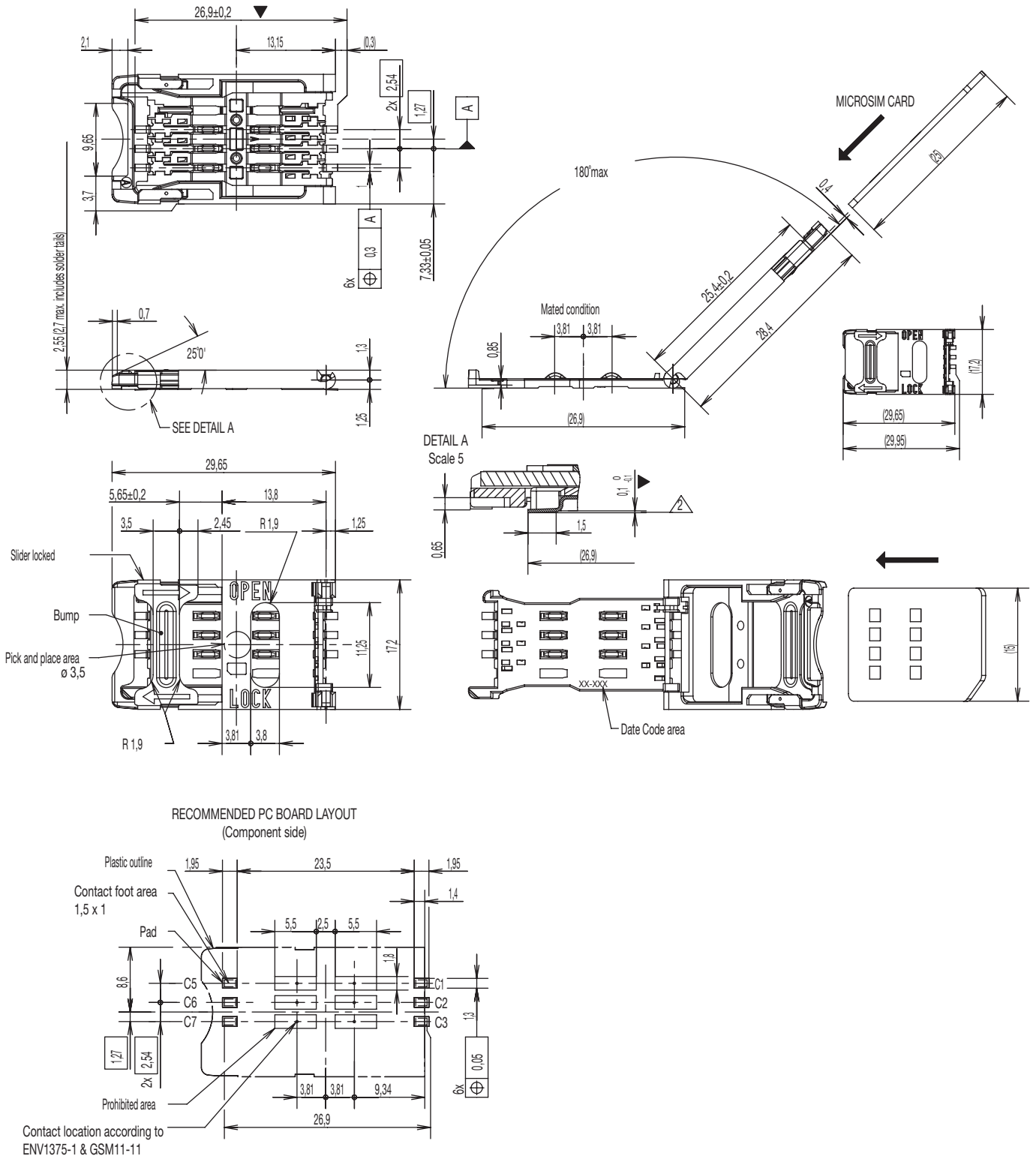
Dimensions are shown in mm
Specifications and dimensions subject to change

www.ckswitches.com

CCM03 MK2 Series

CCM03-3512 LFT

SIM/SAM



Dimensions are shown in mm
Specifications and dimensions subject to change



